

The essential of curtain motorization
by Somfy.



Applications



curtains

Main characteristics

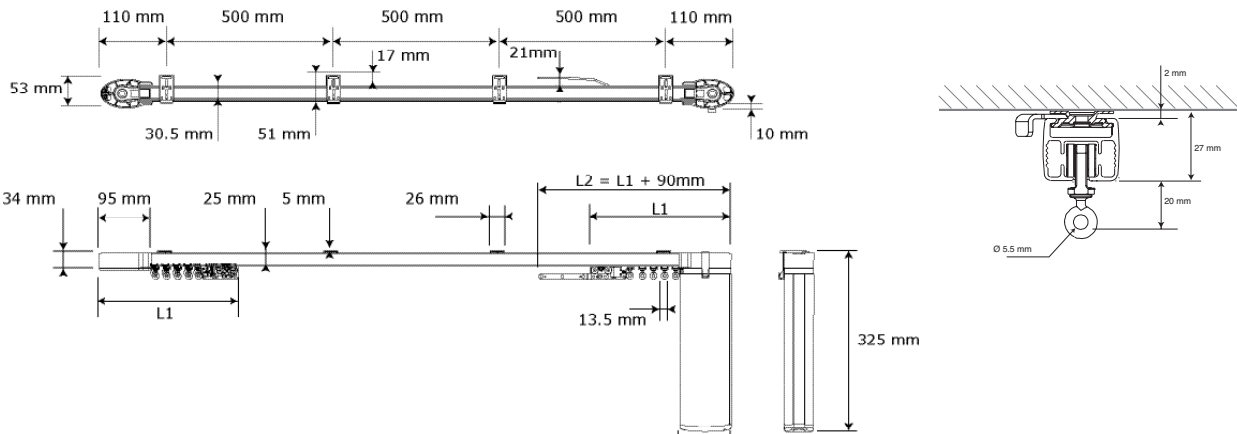
- > Quiet operation at < 50 dB(A)
- > High flexibility to adapt to different types of curtains (Glydea™ track hardware full compatibility):
 - Rail up to 10 m long
 - Bending radius from 300 mm
 - Curtain weight up to 35 kg
 - Large choice of rail shapes
 - Large range of accessories to cover all type of curtains
- > Motor can be also hidden in false ceilings (top mount kit)
- > **Essential features for curtain operation and standards installations requirements:**
 - Automatic limits on end stop, soft start
 - Back release, DCT controls ergonomics (2 and 3 NO dry contacts), motor direction change
- > Manual operation possible in case of power failure

Certifications



CHARACTERISTICS

Supply voltage	90 V to 250 V 50/60 Hz
Degree of protection	IP 20
Operating temperature	0 to 60°C
Protection class	Class I
Limit switch unit	Automatic
Conformity	www.somfy.com/ce



Performance

	Irismo™ 35 RTS	Irismo™ 35 DCT	Irismo™ 35 WT ⁽¹⁾
Nominal voltage	90 V to 250 V 50/60 Hz		
Average linear speed	15 cm/s		
Power consumption	35 W		
Power cable type	3-wire cable		4-wire cable
Control connector type	RJ12		
DCT Control circuit voltage	5 VDC		90 VAC to 250 VAC
Motorized track noise level ⁽²⁾	< 50 dB(A)		
Track maximum length	10 m		
Maximum number of junctions	2		
Minimum bending radius	300 mm		
Minimum curving radius	3 m		

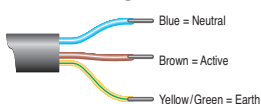
⁽¹⁾ WT motors can be switched to DCT mode by connecting both direction wires to live.

⁽²⁾ Sound pressure level according to Somfy measurement standard.

	EU - US - CHINA	JAPAN	SOUTH KOREA
Radio frequencies available for RTS	433,42 MHz	426,0625 MHz	447,7 MHz

Type of cable

DCT & RTS
3 threads by wire



WT
4 threads by wire

