

# Outside Sensor Box

animeo Solo

animeo IB+

animeo IP

animeo KNX

animeo LON

SOLUTIONS FOR BUILDING CONTROL



Ref. 9001606

Interface between the sensor stations or individual sensors to the animeo building control solutions.

It requires an external 24 V AC / DC power supply (ref. 1860093).

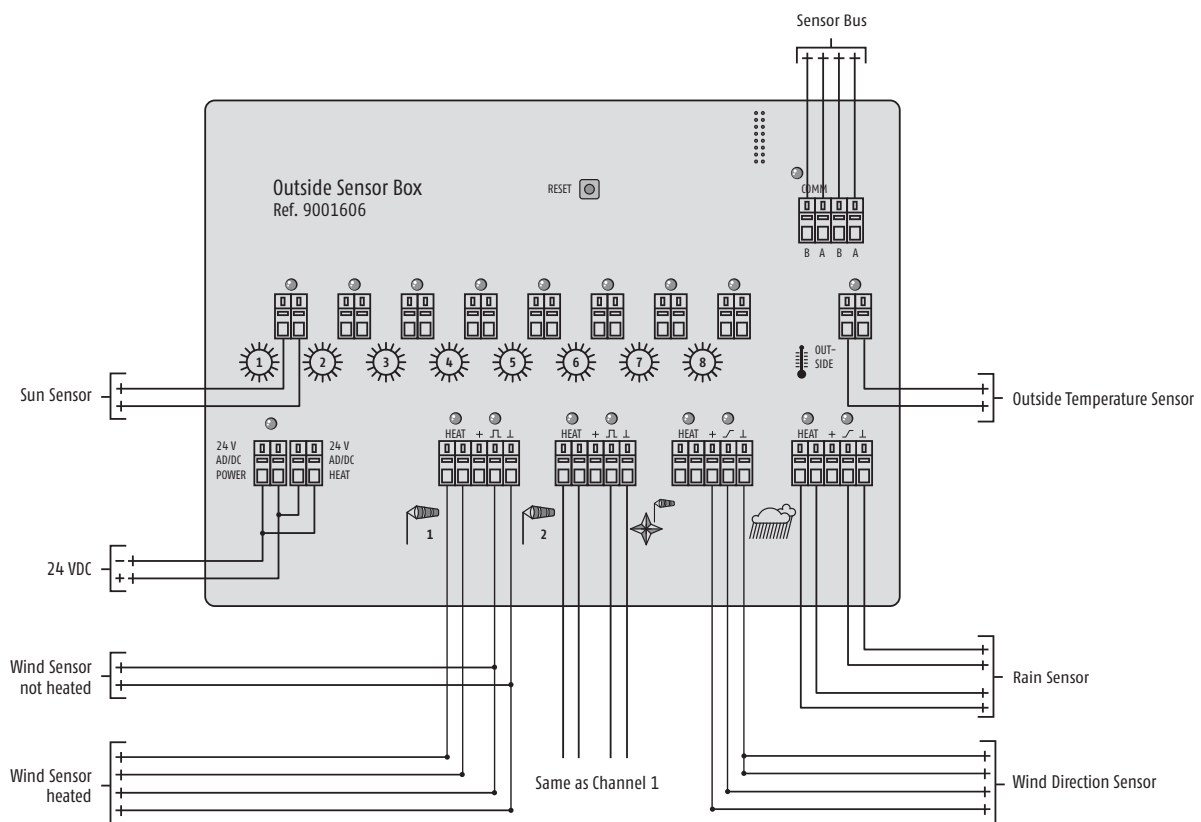
The Outside Sensor Extension Box (ref. 9001607) offers extension capabilities of 2 additional wind speed sensors and 4 sun sensors.

## Installation advantages

- > Only two cables (power supply 24 V AC/DC and data cable) must be laid to the outside. All wires easily integrated through spring clamb connectors.
- > Can directly be fixed to the sensor stations.
- > Up to 8 sun sensors, 2 wind speed sensors (standard or heated), 1 wind direction sensor, 1 rain sensor, 1 outside temperature sensor as well can be connected to the Outside Sensor Box.

## Functional advantages

- > Easy and quick start-up in combination with animeo building control solutions.
- > Status display through LED's for clear monitoring of connected and functioning individual sensors.



### CHARACTERISTICS

<b>Supply voltage</b>	24 V AC/DC SELV
<b>Max. operating current</b>	3 A
<b>Stand-by current (primary)</b>	100 mA
<b>Terminals</b>	Spring connectors
<b>Operating temperature</b>	- 30 °C to 70 °C
<b>Relative humidity</b>	85 %
<b>Material of housing</b>	PS (Polystyrol)
<b>Housing dimensions (w x h x d)</b>	255 x 210 x 100 mm
<b>Weight</b>	830 g
<b>Degree of protection</b>	IP 44
<b>Protection class</b>	III
<b>Conformity</b>	<a href="http://www.somfy.com/ce">www.somfy.com/ce</a>