

# Soliris Sun Sensor

animeo Solo

animeo IB+

animeo IP

animeo KNX

animeo LON

SOLUTIONS FOR BUILDING CONTROL



Ref. 9154217

Sun sensor for the measuring of luminosity in connection with the animeo Solo 1 zone (ref. 1860143) and animeo Solo 2 zone (ref. 1860144).

Measurement output is displayed in Lux in the animeo building control solutions.

## Installation advantages

- > Small unique design to allow the integration directly at the external façade.
- > Brackets available (ref. 9127888).
- > Spring clamp connectors for safe and solid wiring to the animeo Solo.

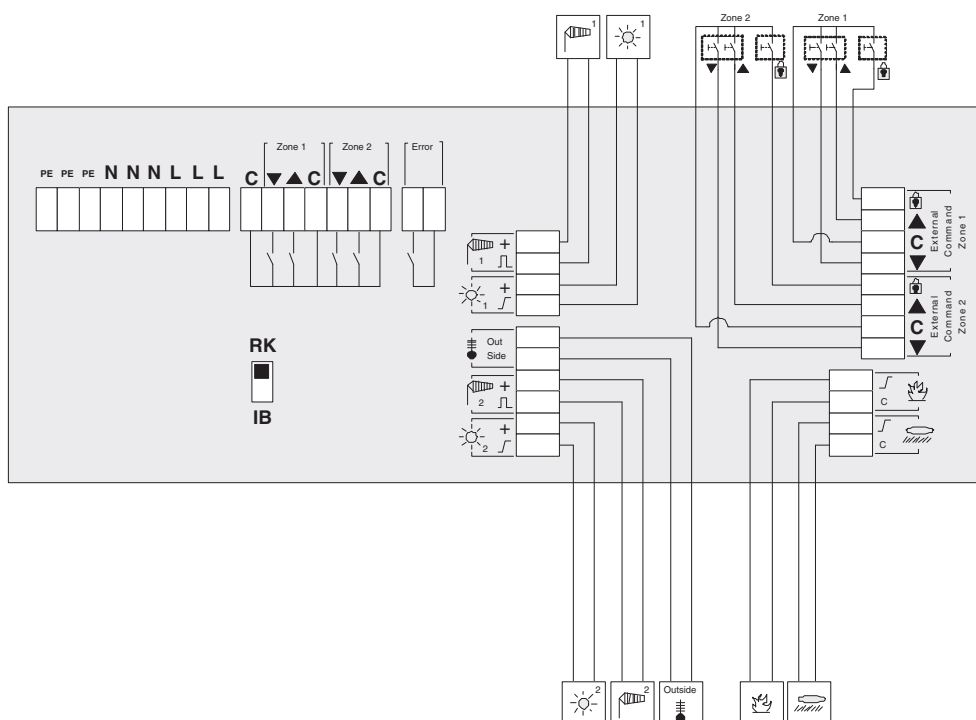
## Functional advantages

- > Take the luminosity of an angle of 150° into account.
- > Up to max. 2 sun sensors can be used in combination with the animeo Solo (max. 1 sensor per zone).



Somfy  
50 Avenue du Nouveau Monde  
74300 Cluses  
France  
T +33 (0)4 50 96 70 00  
F +33 (0)4 50 96 71 89

[www.somfy.com/projects](http://www.somfy.com/projects)  
[www.somfy.com](http://www.somfy.com)



### CHARACTERISTICS

|  |  |
|--|--|
| <b>Dimensions</b>                      | 34 × 88 × 47 mm  |
| <b>Degree of protection</b>            | IP 44  |
| <b>Wiring recommendations</b>          | 2 × 0.8 mm <sup>2</sup>                                |
| <b>Angle position</b>                  | 150°   |
| <b>Weight</b>                          | 42 g   |
| <b>Protection class</b>                | III  |
| <b>Mounting bracket for Sun Sensor</b> | ref. 9127888   |
| <b>Conformity</b>                      | <a href="http://www.somfy.com/ce">www.somfy.com/ce</a> |