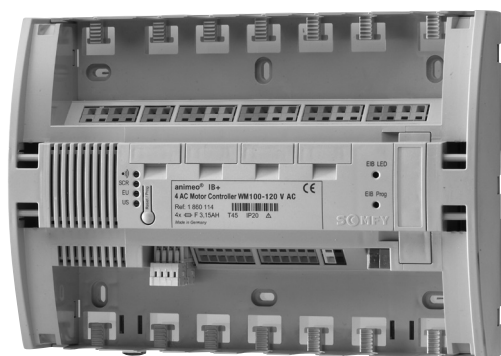


animeo IB+ 4 AC Motor Controller WM 100–120 V AC

SOLUTIONS FOR BUILDING CONTROL



Ref. 1860080

Motor controller for roller shutters, screens, exterior Venetian blinds and windows openers.

To individually control up to four 120 V AC motors via local push buttons or in groups with IB+ Controlling Technology.

Available in wall-mounted version (WM).

Installation advantages

- > Easy and quick commissioning in combination with the animeo IB+ Building Controller.
- > Spring connectors and tension relief with cable ties for safer and quicker installation.
- > Status feedback through LEDs.
- > Easily accessible safety fuses per output.

Functional advantages

- > All windows can be managed independently from each other.
- > Intelligent switching between manual and automatic operation to guarantee excellent user-friendliness and energy savings.
- > Local setting of an intermediate position and of user ergonomics.
- > Upgradable at any time for local controlling through radio Somfy RTS or EnOcean technology.

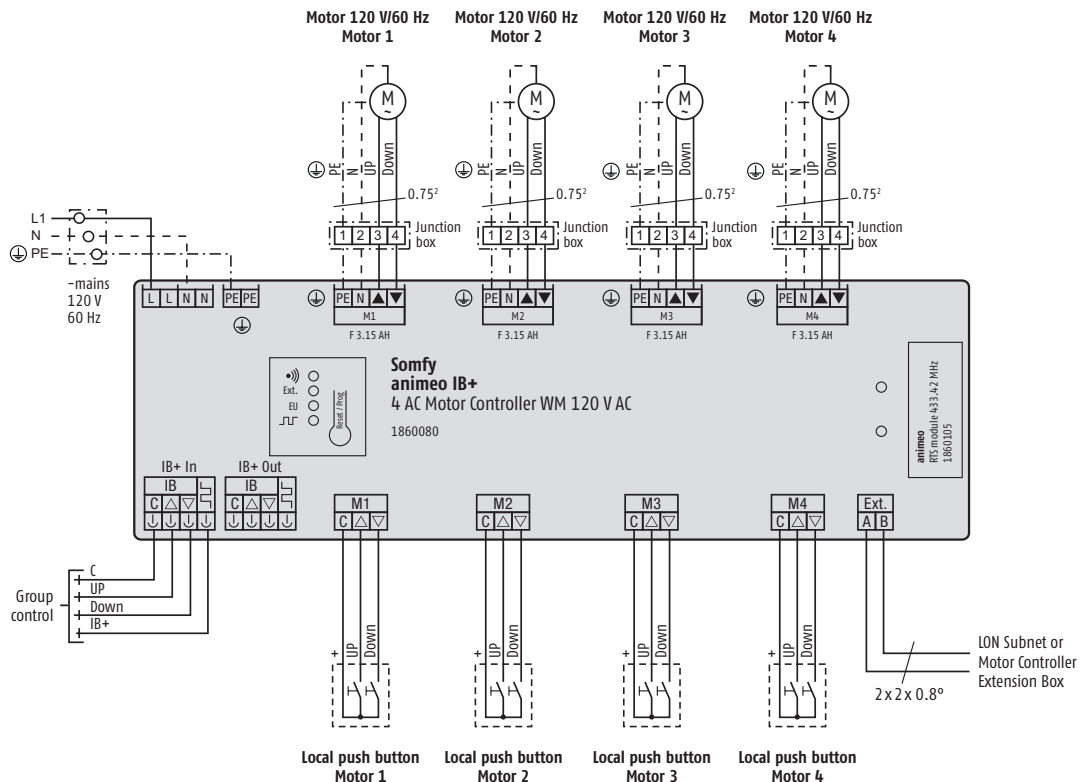
Wiring

| Connection | Cables | Twisted pairs | Max. distance |
|---------------------|---|---------------|--------------------|
| Motors | Min.: 4 x 0.75 mm ² /18 AWG Max.: 4 x 2.5 mm ² /13 AWG | – | |
| Switches | Min.: 3 x 0.28 mm ² /22 AWG Max.: 3 x 2.5 mm ² /13 AWG | Recommended | 100 m/ 330 ft |
| IB+ bus | Min.: 4 x 0.28 mm ² /22 AWG Max.: 4 x 1.5 mm ² /15 AWG | Recommended | 1000 m/ 3300 ft |
| 100–120 V AC | Min.: 3 x 1.5 mm ² /15 AWG Max.: 3 x 2.5 mm ² /13 AWG | – | |

Classification

The Motor Controller is an electronically and manually-operated, independently-mounted control.

- Class A control function
- Type 1 action
- Pollution degree: 2
- Rated impulse voltage: 4 kV
- Temperature of the ball hardness test: 75 °C
- Type X attachment
- Method of attachment for non-detachable cords: screwless spring terminal
- EMC emission test: $U_{AC} = 110 \text{ V AC}$ $I_{AC} = 0.5 \text{ A}$
(EN 55022 Class B emission)



CHARACTERISTICS

WM Ref. 1860080

| | |
|---------------------------------------|---|
| Supply voltage | 100–120 V AC / 50/60 Hz |
| Stand-by current (IEC 62301) | < 28 mA@110 V AC / 60 Hz |
| Stand-by power (IEC 62301) | < 1.8 W@110 V AC / 60 Hz |
| Max. motor current consumption | 4 x 6.0 A, $\cos \varphi = 0.95$ |
| Supply voltage of group control input | SELV, 16 V DC = |
| Supply voltage of local push buttons | SELV, 16 V DC = |
| Fuse for all outputs | 4 x F 3.15 AH |
| Terminals | Spring connectors |
| Running time per output | Max. 5 minutes |
| Operating temperature | 0 °C to 45 °C |
| Relative humidity | Max. 85 % |
| Material of housing | PC-ABS |
| Housing dimensions (w x h x d) | 180 x 255 x 63 mm |
| Weight | 710 g |
| Degree of protection | IP 20 |
| Protection class | □ II (looped through PE connection - depending on the installation) |
| Conformity | UL |