

IP Building Controller

animeo Solo

animeo IB+

animeo IP

animeo KNX

animeo LON

SOLUTIONS FOR COMMERCIAL BUILDINGS



Ref. 1822314

The IP Building Controller is an integrated hardware and software central device for animeo IP/RS485 and animeo IP/io installations.

It provides dynamic solar management by directly controlling Somfy-motorized window coverings and climate information given by a real-time weather station.



Installation advantages

- > For larger installations, the IP Building Controller's capacity can be expanded with the addition of an animeo IP Sub Controller (Ref. 1860201).
- > RJ45 and spring clamb connectors for false prove connections.
- > Suitable for wall-mounting and DIN-rail installation.

Functional advantages

- > The IP Building Controller features an intuitive graphical user interface to simplify programming, commissioning, operation and system status.
- > Automatic discovery of blinds, sensors and local control points.
- > No zone limitation; a window can be a single zone.
- > Allows configuration and binding of customized web remotes.

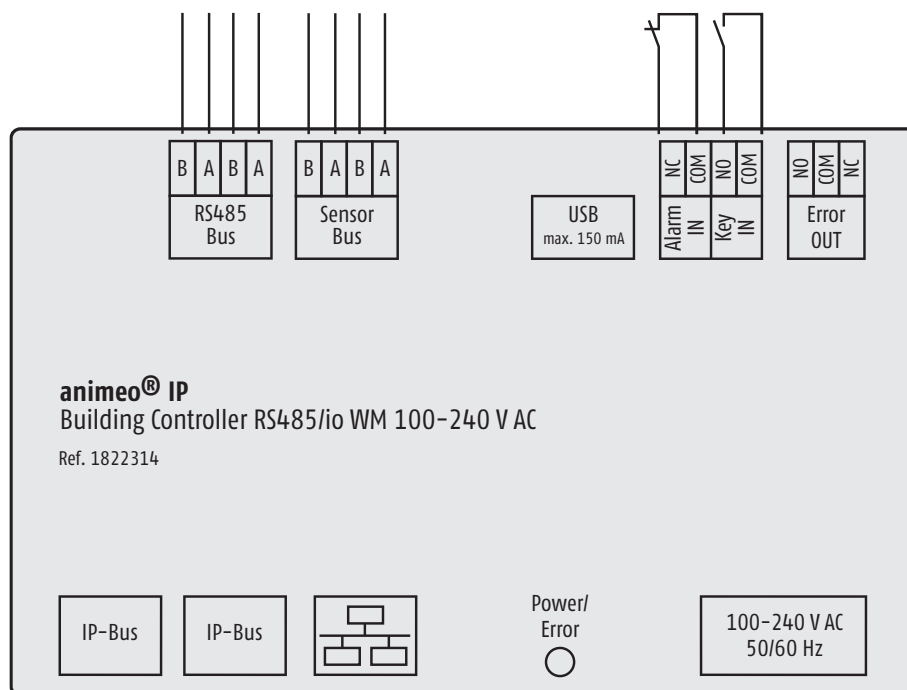
Wiring

Connection	Cables	Twisted pairs	Max. distance
RS485 Bus	Min.: 2 x 0.6 mm/22 AWG Max.: 2 x 0.8 mm/20 AWG	Required	1000 m/1650 ft
Sensor Bus	Min.: 2 x 0.6 mm/22 AWG Max.: 2 x 0.8 mm/20 AWG	Required	500 m/1650 ft
USB	USB 2.0 Standard A	–	10 m/3 ft
Alarm IN	Min.: 2 x 0.6 mm/22 AWG Max.: 2 x 0.8 mm/20 AWG	–	100 m/330 ft
Key switch IN	Min.: 2 x 0.6 mm/22 AWG Max.: 2 x 0.8 mm/20 AWG	–	100 m/330 ft
Error OUT	Min.: 3 x 0.6 mm/22 AWG Max.: 3 x 0.8 mm/20 AWG	–	100 m/330 ft
IP Bus	Cat. 5/100 Mbit/s	–	100 m/330 ft
LAN	Cat. 5/100 Mbit/s	–	100 m/330 ft

Classification

The Building Controller is an electronically and manually-operated, independently-mounted control.

- Class A control function
- Type 1 action
- Pollution degree: 2
- Rated impulse voltage: 4 kV
- Temperature of the ball hardness test: 75°C
- Type X attachment
- Method of attachment for non-detachable cords: screwless spring terminal
- EMC emission test: $U_{AC} = 230V AC$ $I_{AC} = 0.05 A$
(EN 55022 Class B emission)



CHARACTERISTICS

Supply voltage	100-240 V AC / 50/60 Hz
Stand-by current (IEC 62301)	< 70 mA@230 V AC < 105 mA@110 V AC
Stand-by power (IEC 62301)	< 5.2 W@230 V AC < 5.2 W@110 V AC
Terminals	Wago/spring connectors
Alarm IN	Normally closed, SELV 16 V DC
Key IN	Normally open, SELV 16 V DC
Error OUT	Dry contact, NC and NO, 24 V / 1 A max.
Battery	3V/Type CR 2032
Operating temperature	0 °C to 45 °C
Relative humidity	max. 85 %
Material of housing	PC-ABS polycarbonate
Housing dimensions (w x h x d)	100 x 175 x 50 mm
Weight	385 g
Degree of protection	IP 20
Protection class	II
Conformity	www.somfy.com/ce